

The Moon Bus

Thruster & Rocket Set



Add screen accurate rocket nozzles and the missing RCS thrusters to the Moebius Models Moon Bus kit. Includes resin parts and brass rod.

Works great with ParaGrafix photoetch set PGX127.

*Moebius® is a registered trademark of Moebius Models. ParaGrafix™ is a trademark of Paul H. Bodensiek dba ParaGrafix. Copyright © 2010 Paul H. Bodensiek. All rights reserved.

www.paragrafix.biz
P/N: PGX128



Kit 2001-1
and classic Aurora kit

The Moon Bus

Thruster & Rocket Set

PGMS
ParaGrafix™
Modeling Systems
www.paragrafix.biz
P/N: PGX128

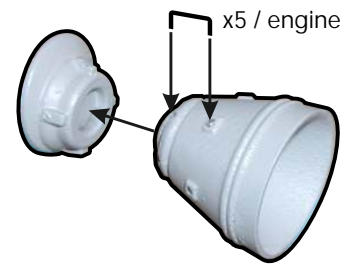
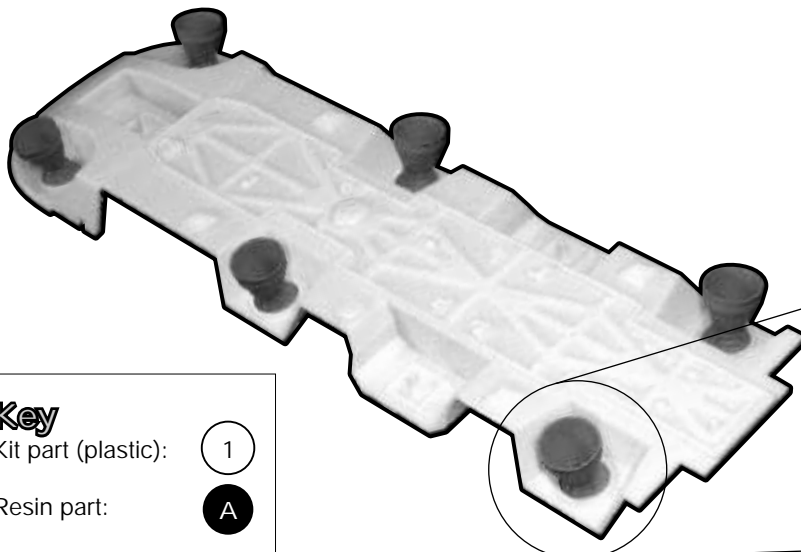
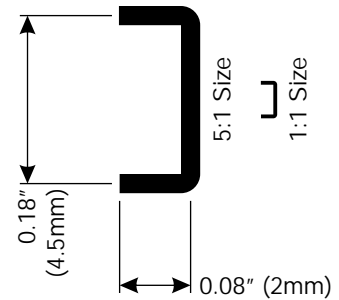


Rocket Nozzles

Cut and bend the brass rod as shown (30 pieces are needed - 5 for each nozzle). A bending jig is provided.

Glue the brass into rocket nozzles - you may want to enlarge the mounting holes slightly as they were made small to mold properly.

Attach the rocket nozzles to the gimbals and then glue them in place in the existing kit holes. Note that the nozzles should point straight out the sides to provide the accurate dihedral angle.



Key

Kit part (plastic):



Resin part:

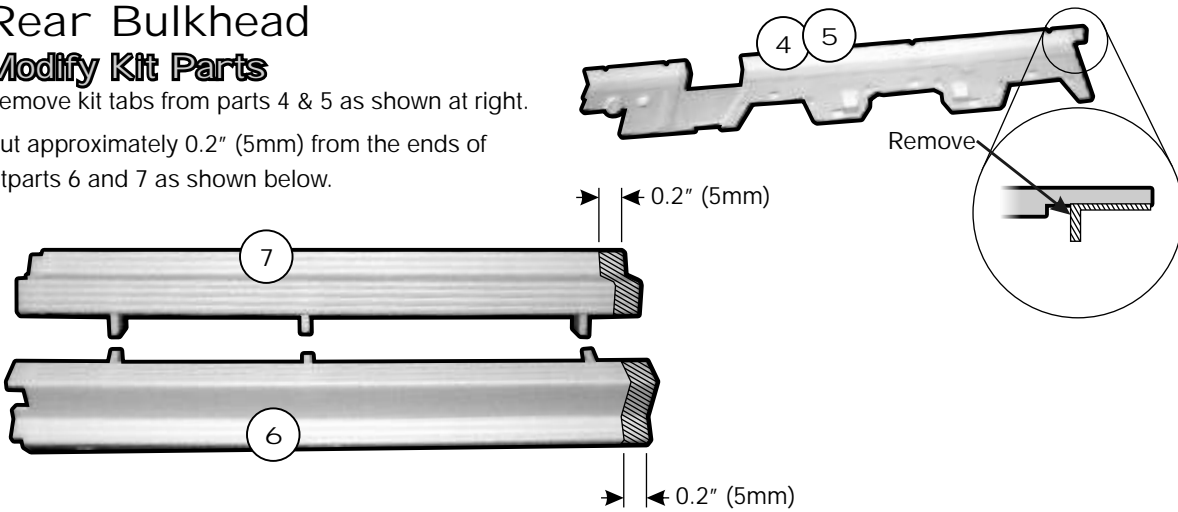


Rear Bulkhead

Modify Kit Parts

Remove kit tabs from parts 4 & 5 as shown at right.

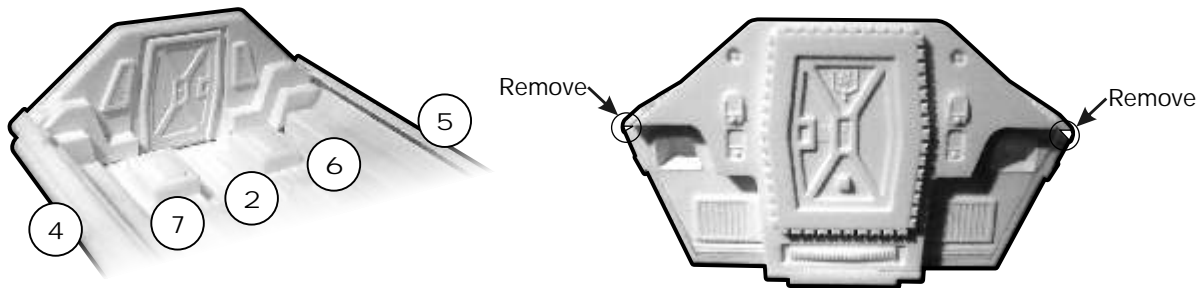
Cut approximately 0.2" (5mm) from the ends of kitparts 6 and 7 as shown below.



Attach Rear Bulkhead

Install floor supports (44 & 26), floor (2), and right & left body sides (4 & 5) as shown in the kit instructions.

Replace body back (10) and rear door (23) with the included rear bulkhead piece. Once in place, remove the extended portions of body sides (4 & 5) as shown below, right.



Thrusters

Modify Kit Parts

Using the templates at right (feel free to photocopy them so you can leave these instruction intact), expand the holes in the thruster pods (kit parts 13 and 14) as shown.

Attach Thrusters

Install the thrusters from behind into the holes created/enlarged. Install A and B first, then C, E, G, and H. Leave D and F for last.

Note that these pieces have very little tolerance. You will need to remove the pour stub very close to the finished part. Also, the rounded portions of C and E point up toward the top thrusters (D and F).

Install parts 13 & 14 to the kit as shown in the instructions. Kit parts 45 are not used.

