

ParaGrafix states that our use of the trademarked terms listed below in our product descriptions constitutes fair use and nominative use and is in no way to offer confusion that ParaGrafix and any of the following noted trademark holders are related companies, nor do we state that we are endorsed by these trademark holders. We are an AFTERMARKET company acting in GOOD FAITH in providing high quality products to loyal customers who have already purchased products related to these trademarks. ParaGrafix is actually providing these trademark holders a venue of free advertising and indirectly provide these trademark holders with more sales leads. Interstellar TM & © Warner Bros. Entertainment Inc.

INTRODUCTION

Thank you for purchasing ParaGrafix's photoetch set for Moebius Model's Ranger kit from the movie Interstellar. This set allows you to create see-through windows

Materials

In addition to the photoetch, you will also need scissors or a knife* to remove individual pieces from the main fret, a file to remove material left from cutting, and super glue (aka CA or cyanoacrylate).

* We prefer a #17 Xacto chisel blade.

Raised Detail

Where applicable, these instructions note an area where the raised kit detail must be removed. This may be done in whatever way you are most comfortable: sanding, filing, chiseling. Note that in most cases the surface does not need to be perfectly smooth as the photoetched part will replace the "lost" kit detail.

Installation Parts Order

The installation steps are not in any particular order. You can complete them as you see fit to complement your kit construction order.

Key

Kit part (plastic): **1**

Photoetched part: **1**

Airlock / Entry Hatch

NOTE: The airlock may be built to replicate either the studio miniature or the full-sized set piece used for location shooting. The only difference between the two is etch part 15 (docking clamps) – include this for the miniature version or omit for the full-sized set piece. If adding etch part 15, remove the outer ring and raised bumpers from the entry hatch (kit part 38).

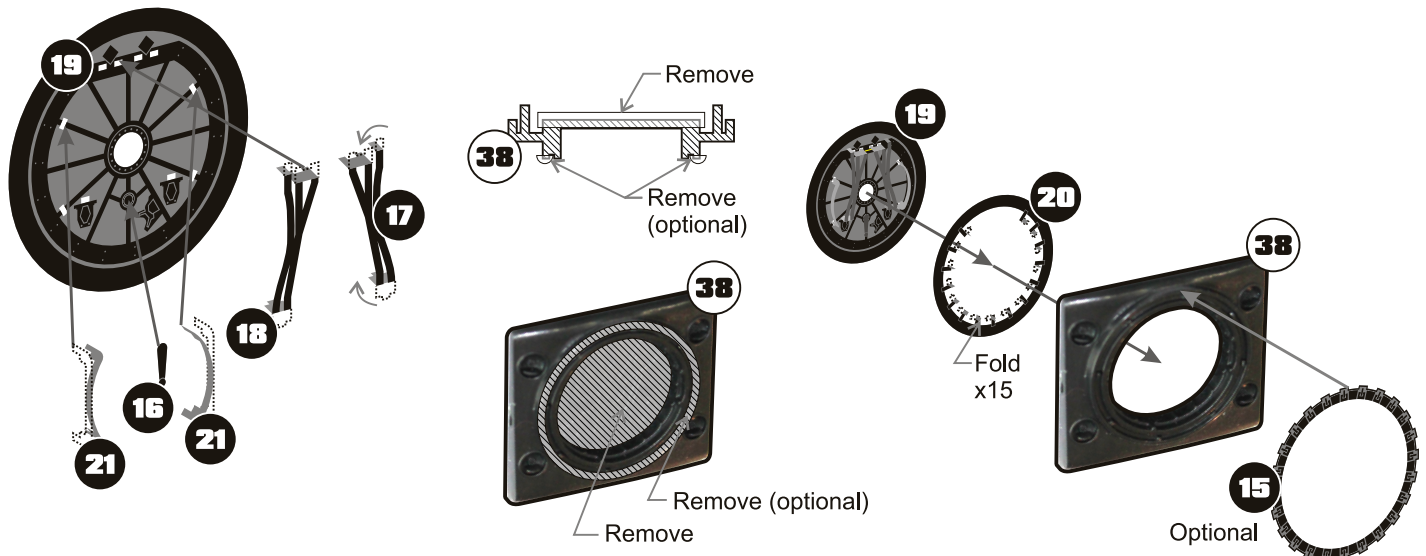
NOTE: The airlock is most often seen in the orientation shown below. Some shots in the movie, however, have the door shown upside down. Remove the existing airlock door from kit part 38 and thin down the back side to retain the same depth.

Bend the latch mechanism tabs up on part 20. Fold the tabs on parts 17 and 18 and bend parts 21 to an arc to follow the curve of the door. You can attach the handle (16) with a bit of plastic stock at the center of the circle mount so that it stands away from the hatch.

Mount etch parts 19 and 20 to the backside of the kit airlock part. Install on the kit as shown in the instructions.

TIP: For a better fit, cut away some of the material around the airlock "alcove" in the main upper fuselage (kit part 19).

 To überdetail the hatch, attach very fine wire or stretched sprue between the mechanism tabs on part 20. You can also replace handles 21 with wire.



Windows

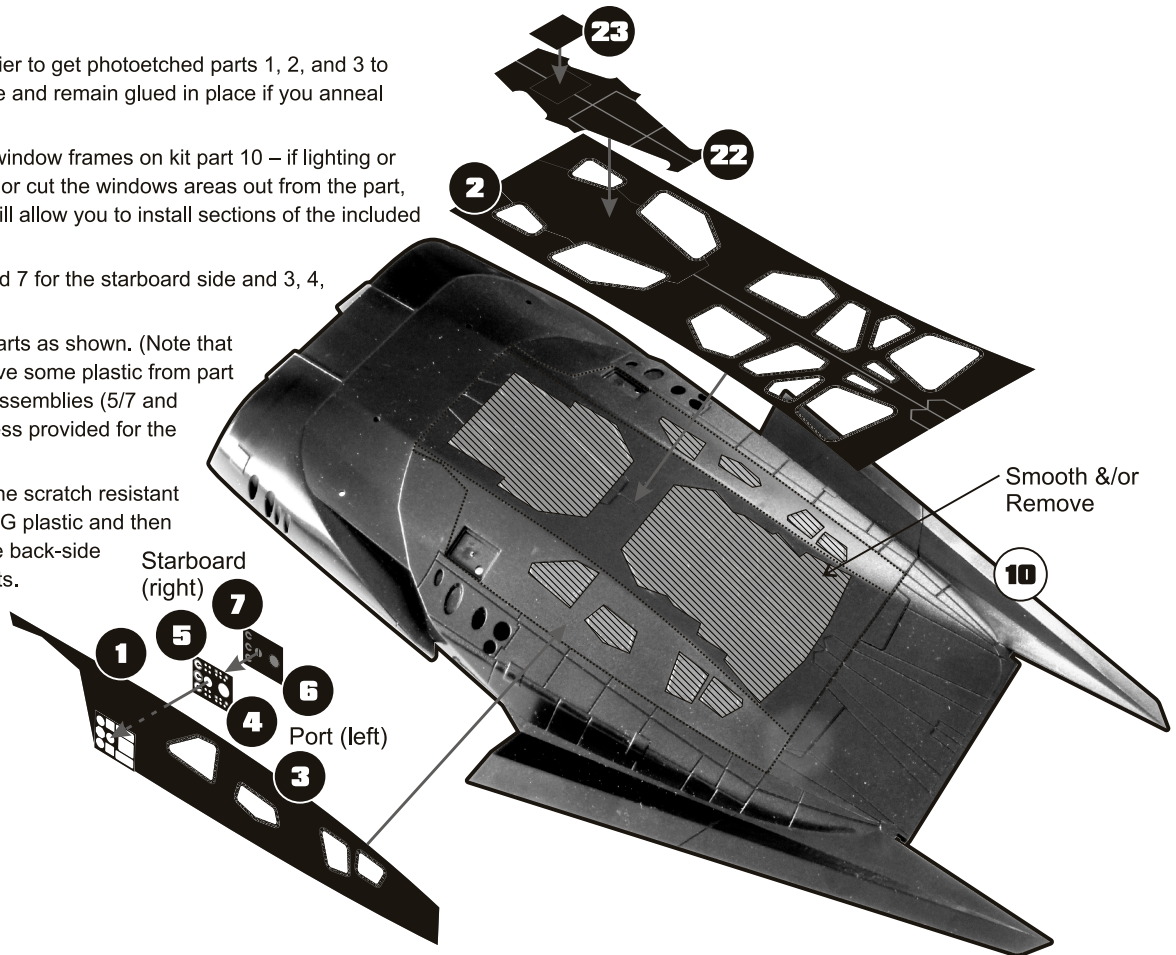
TIP: You will find it easier to get photoetched parts 1, 2, and 3 to conform to the fuselage and remain glued in place if you anneal them first.

Smooth off the raised window frames on kit part 10 – if lighting or building a custom interior cut the windows areas out from the part, leaving a border that will allow you to install sections of the included clear PETG plastic.

Combine parts 1, 5, and 7 for the starboard side and 3, 4, and 6 for the port.

Mount the photoetch parts as shown. (Note that you may need to remove some plastic from part 10 so that the fueling assemblies (5/7 and 4/6) will fit into the recess provided for the original kit parts.)

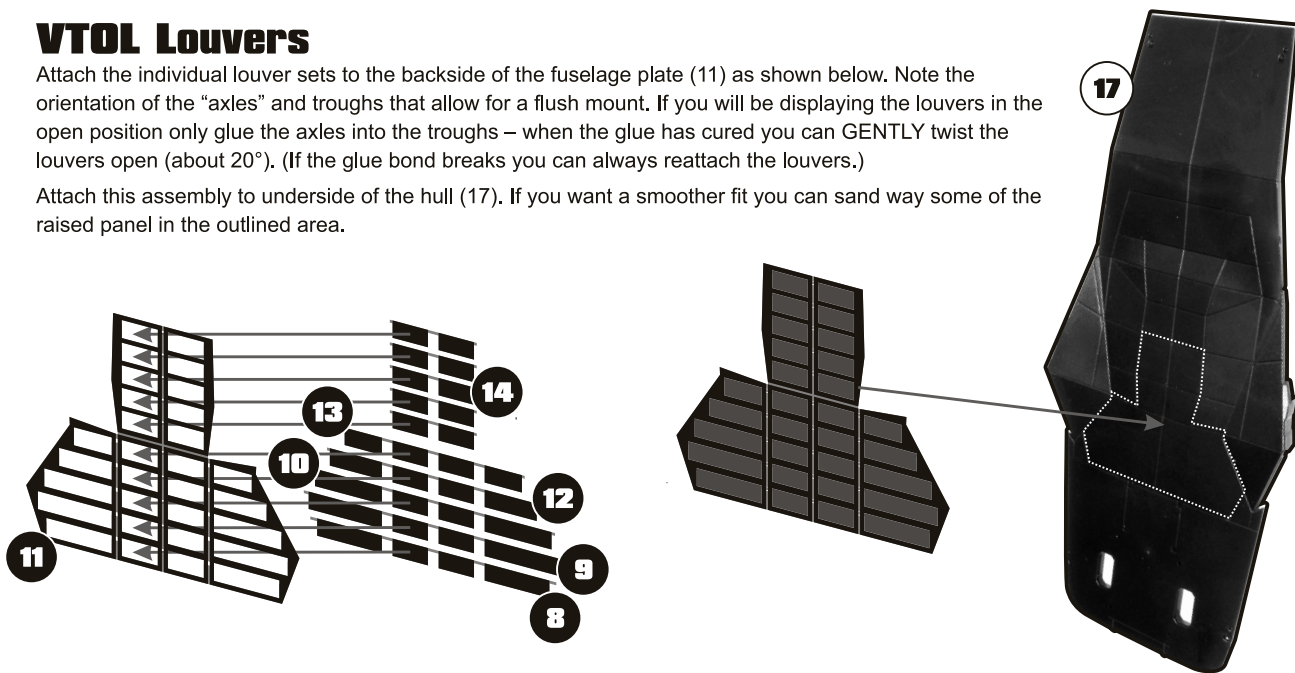
OPTIONAL: Remove the scratch resistant film from the clear PETG plastic and then mount the plastic to the back-side of the photoetched parts.



VTOL Louvers

Attach the individual louver sets to the backside of the fuselage plate (11) as shown below. Note the orientation of the "axles" and troughs that allow for a flush mount. If you will be displaying the louvers in the open position only glue the axles into the troughs – when the glue has cured you can GENTLY twist the louvers open (about 20°). (If the glue bond breaks you can always reattach the louvers.)

Attach this assembly to underside of the hull (17). If you want a smoother fit you can sand way some of the raised panel in the outlined area.



**PARA
GRAFIX™**

148 Rocklawn Ave.
Attleboro MA 02703 USA
+1 508-431-9800
www.ParaGrafix.biz

Special thanks to Frank Winspur and Dave Metzner of Moebius Models for making a prototype copy of the Ranger kit available for the development of this etch set and for all of their support and encouragement.